

4

3

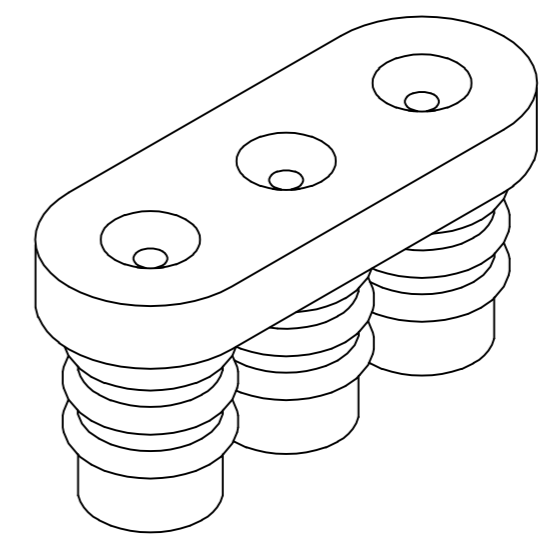
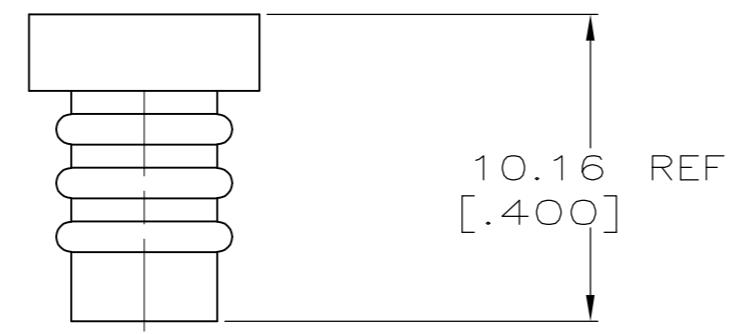
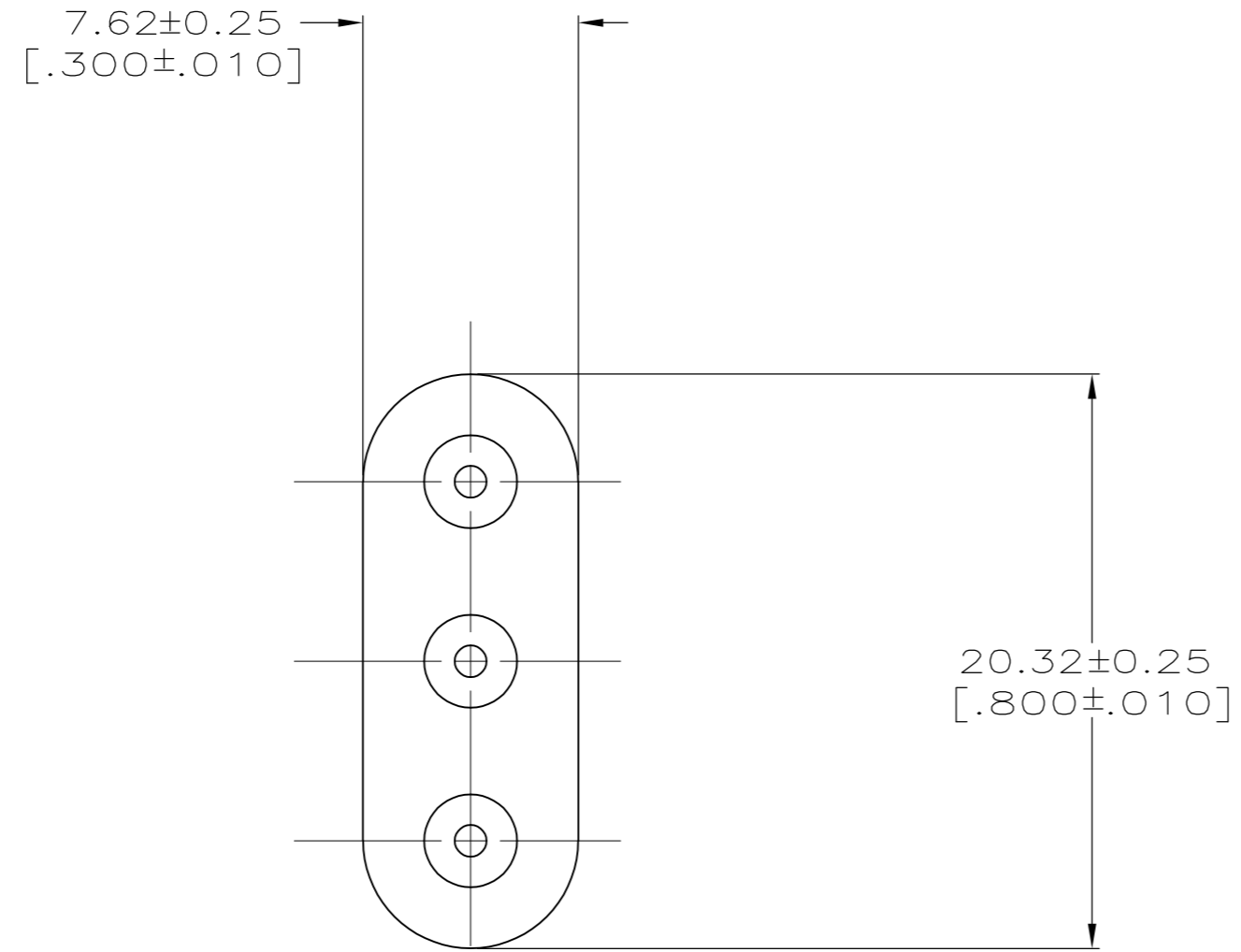
2

1

THIS DRAWING IS UNPUBLISHED. RELEASED FOR PUBLICATION
 © COPYRIGHT - By - ALL RIGHTS RESERVED.

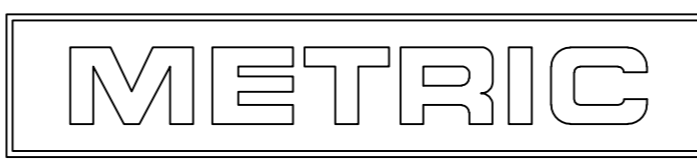
LOC	DIST	REVISIONS					
		P	LTR	DESCRIPTION	DATE	DWN	APVD
CM	53		A1	REVISED PER ECO-11-005027	11MAR11	RK	HMR

- 1. MATERIAL: SELF LUBRICATING SILICON RUBBER
COLOR: BLUE
- 2. DIMENSIONS IN BRACKETS ARE IN INCHES.



3-DIMENSIONAL MODEL NTS

794272-1
PART NUMBER



THIS DRAWING IS A CONTROLLED DOCUMENT.		DWN	B. LEWIS	3-25-97		TE Connectivity		
DIMENSIONS: INCHES		CHK	R. SWING	3-25-97		NAME		
		APVD	D. SELF	3-25-97		WIRE SEAL, 3 CIRCUIT, UNIVERSAL MATE-N-LOK™		
TOLERANCES UNLESS OTHERWISE SPECIFIED:		PRODUCT SPEC				SIZE	CAGE CODE	DRAWING NO
0 PLC ± -		APPLICATION SPEC			A2	00779	C=794272	-
1 PLC ± -					SCALE	4:1	SHEET	1 OF 1
2 PLC ± -		WEIGHT					REV	A1
3 PLC ± 0.13 [.005]		CUSTOMER DRAWING						
4 PLC ± -								
ANGLES ± 0° 30'								
FINISH								